



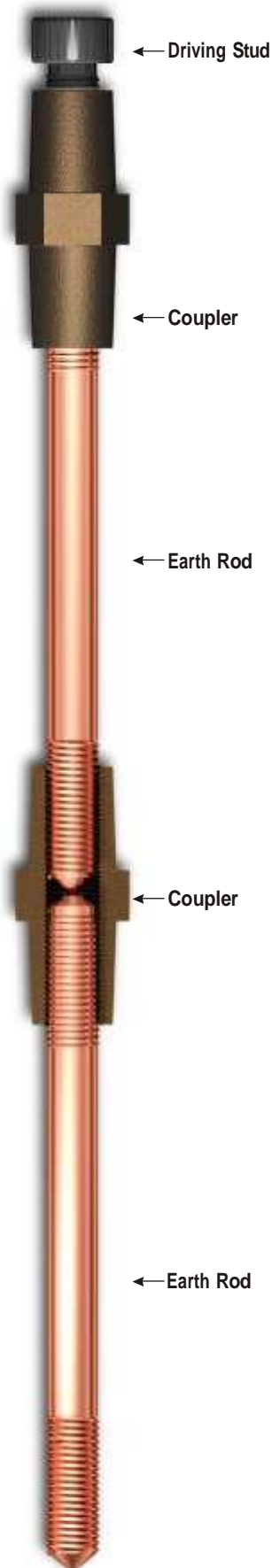
# MACHWELL INDUSTRIES

Canada Office: 5-10080 Kilby Drive, Richmond, BC, Canada  
India Unit: 7- Makwana Road, Andheri, Mumbai, India, 400059  
+1-672-515-2538 | +91 9820 637784  
[info@machwellindustries.com](mailto:info@machwellindustries.com) | [Shabbir@shakir.ca](mailto:Shabbir@shakir.ca)

- **COPPER BONDED GROUNDING ROD**
- **MECHANICALLY CLADED COPPER COATED GROUNDING ROD**
- **SOLID COPPER ROD C**
- **STAINLESS STEEL GROUND ROD**
- **EARTH PLATE**
- **COPPER ALLOY CLAMPS**
- **BONDS**
- **LIGHTENING PROTECTION**
- **AERIAL ROD + MULTIPLE POINT + TERMINAL BASE**
- **ROD TO TAPE COUPLING**
- **HEAVY DUTY CAST CABLE**



**MACHWELL INDUSTRIES**



“APM” copper bonded earth rod are made from low carbon steel with a high tensile strength of atleast 600 N/mm . Low carbon steel core are molecularly bonded with 99.9% pure electrolytic copper.

**COPPER BONDED EARTH RODS - SECTIONAL**

Salient Features :

- \* Perfectly bonded rod will last longer, drive easier and will not crack.
- \* Corrosion resistance while providing the lowest resistance to ground.
- \* Threads are rolled by roll threading process, which ensures that an even copper covering maintained, even at the root of the thread. Roll thread gives greater strength than cut thread.
- \* Thread rolling process raises the surface of the rod, so that Thread dia. is greater than Shank dia.

DIMENSION ROD SIZE (DIA x LENGTH)	ACTUAL ROD DIA. “S”	THREAD DIA. “T”	PROD. CODE
14 x 1200	12	14 or 1½”	HBR - 1412
14 x 1500	12	14 or 1½”	HBR - 1415
14 x 1800	12	14 or 1½”	HBR - 1418
14 x 2000	12	14 or 1½”	HBR - 1420
14 x 2400	12	14 or 1½”	HBR - 1424
5/8” x 4’or 16 mm x 1200	14	5/8”	HBR - 112
5/8” x 5’or 16 mm x 1500	14	5/8”	HBR - 115
5/8” x 6’or 16 mm x 1800	14	5/8”	HBR - 118
5/8” x 8’or 16 mm x 2400	14	5/8”	HBR - 124
5/8” x 10’or 16 mm x 3000	14	5/8”	HBR - 130
5/8” x 4’or 16 mm x 1200	16	5/8”	HBR - 312
5/8” x 5’or 16 mm x 1500	16	5/8”	HBR - 315
5/8” x 6’or 16 mm x 1800	16	5/8”	HBR - 318
3/4” x 4’or 19 mm x 1200	17.2	3/4”	HBR - 212
3/4” x 5’or 19 mm x 1500	17.2	3/4”	HBR - 215
3/4” x 6’or 19 mm x 1800	17.2	3/4”	HBR - 218
3/4” x 8’or 19 mm x 2400	17.2	3/4”	HBR - 224
3/4” x 10’or 19 mm x 3000	17.2	3/4”	HBR - 230

• Above Rod can also be made as per customer specification.

**THREADED COUPLERS**

Made up of Copper Alloy for higher strength and countered bored to protect the rod threads from damage.



SIZE	PROD.CODE
14 mm	HD - 14
5/8” or 16 mm	HD - 16
3/4” or 19 mm	HD - 19
1/2”	HD - 12

**DRIVING BOL**

Made up of Re-usable high tensile Can be used many times over and for power hammering.



SIZE	PROD.CODE
14 mm	HD - 14
5/8” or 16 mm	HD - 16
3/4” or 19 mm	HD - 19
1/2”	HD - 12



**COPPER BONDED EARTH RODS-UNTHREADED & POINTED**

APm earth rods are made from high tensile low carbon steel. Each rod is made by molecularly bonding 99.9 % pure electrolytic copper.

ROD SIZE "S"	LENGTH	PROD. CODE
12	1200 (4 ft)	HCR - 1412
12	or 1800 (6 ft)	HCR - 1418
12	or 2400 (8ft)	HCR - 1424
14	1200 (4 ft)	HCR - 112
14	or 1800 (6 ft)	HCR - 118
14	or 2400 (8ft)	HCR - 124
16	1200 (4 ft)	HCR - 312
16	or 1800 (6 ft)	HCR - 318
16	or 2400 (8ft)	HCR - 324
16	or 3000 (10 ft)	HCR - 330
19	1200 (4 ft)	HCR - 412
19	or 1800 (6 ft)	HCR - 418
19	or 2400 (8ft)	HCR - 424
19	or 3000 (10 ft)	HCR - 430

**COUPLERS PRESS FIT FOR UNTHREADED RODS**

Made up of Copper Alloy

ROD SIZE	PROD.CODE
14 mm	HD - 14
5/8" or 16 mm	HD - 16
3/4" or 19 mm	HD - 19
1/2"	HD - 12



**MECHANICALLY PLATED COPPER BONDED EARTH RODS**

Mechanically claded copper coated grounding rod is made when electrolytic grade 99.9% copper tube with wall thickness of 0.25 (250 microns) is cladded to a low carbon steel rod. Even if the rod is bent by 300, the copper tube should not peel out of the M.S rod.

ROD SIZE "S"	LENGTH	PROD. CODE
12.5	1200 (4 ft)	HCR - 1412
	or	
12.5	1800 (6 ft)	HCR - 1418
	or	
12.5	2400 (8ft)	HCR - 1424
14.2	1200 (4 ft)	HCR - 112
	or	
14.2	1800 (6 ft)	HCR - 118
	or	
14.2	2400 (8ft)	HCR - 124
17.2	1200 (4 ft)	HCR - 312
	or	
17.2	1800 (6 ft)	HCR - 318
	or	
17.2	2400 (8ft)	HCR - 324
	or	
17.2	3000 (10 ft)	HCR - 330
19	1200 (4 ft)	HCR - 412
	or	
19	1800 (6 ft)	HCR - 418
	or	
19	2400 (8ft)	HCR - 424
	or	
19	3000 (10 ft)	HCR - 430

← Driving Stud

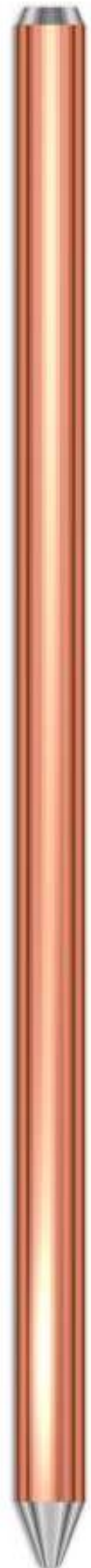
← Coupler

← Earth Rod

← Coupler

← Earth Rod

This rod can also be supplied with threading and without threading.



**PURE COPPER EARTH ROD ( Internally threaded )**  
 Manufactured from Hard Drawn high conductivity Copper

Rod DIA. mm	Total Length	Thread Dia	Code.
14	1200	M10	SCR1412
14	1500	M10	SCR1415
15	1200	M10	SCR1512
15	1500	M10	SCR1515
16	1200	M10	SCR1612
16	1500	M10	SCR1615
20	1200	M12	SCR2012
20	1500	M12	SCR2015

**SPIKE**  
 Made up of Re-usable high tensile steel

Thread Dia	E - Code
M10	DS0010
M12	DS0012

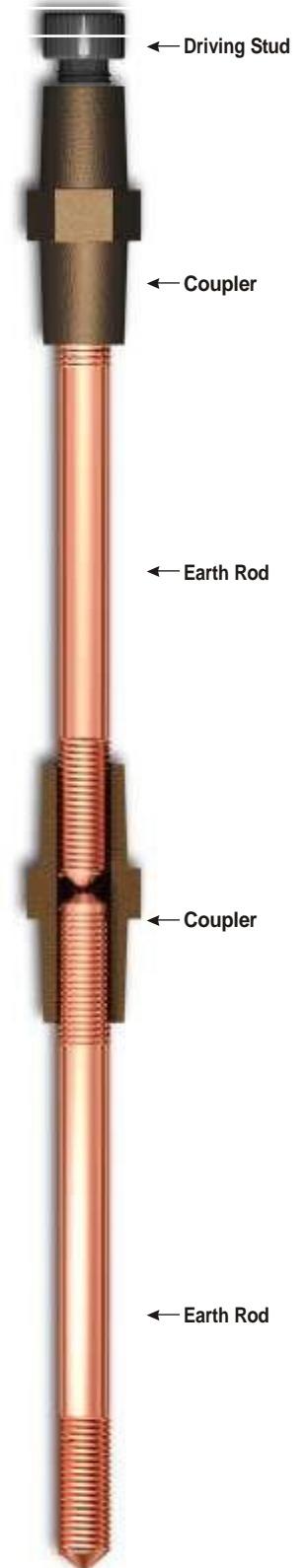
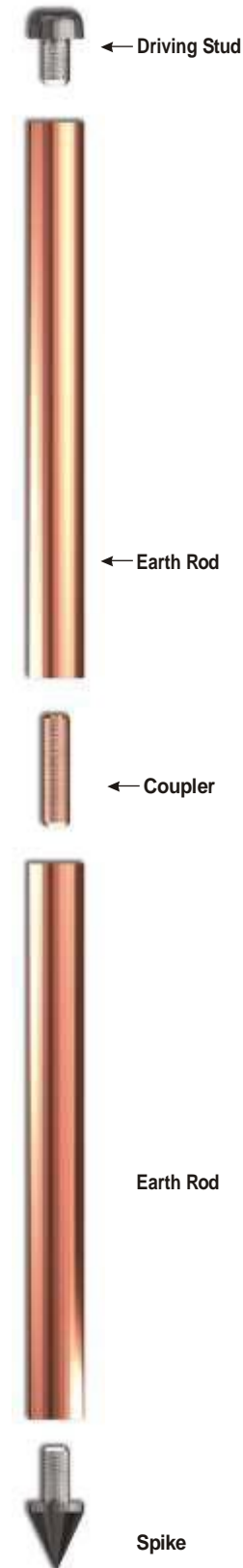
**INTERNAL COUPLING DOWEL**  
 Made up of Copper Alloy

Thread Dia	E - Code
M10	DS0010
M12	DS0012

**PURE COPPER EARTH ROD ( Externally threaded )**

APM solid copper earth rods are made from high conductivity hard drawn copper. They are ideally suitable where soil conditions are very corrosive, such as soil with high salt and moisture content. These rods are also available with tin plating in order to reduce the risk of oxidation and increasing shelf life. Threads on the rods are formed by roll threading process giving extra strength to the threads and eliminating risk of chipping of threads while driving the rod in the ground.

Rod DIA. mm	Total Length	Thread Dia	E - Code
12.5	1200	9/16"	ARC1412
12.5	1500	9/16"	ARC1415
12.5	1800	9/16"	ARC1418
12.5	2400	9/16"	ARC1424
12.5	3000	9/16"	ARC1430
14.2	1200	5/8"	ARC1612
14.2	1500	5/8"	ARC1615
14.2	1800	5/8"	ARC1618
14.2	2400	5/8"	ARC1624
14.2	3000	5/8"	ARC1630
17.2	1200	3/4"	ARC2012
17.2	1500	3/4"	ARC2015
17.2	1800	3/4"	ARC2018
17.2	2400	3/4"	ARC2024
17.2	3000	3/4"	ARC2030



**PURE COPPER EARTH ROD ( Internally threaded )**



**PURE COPPER EARTH ROD ( Externally threaded )**

**STAINLESS STEEL EARTH ROD ( Internal threading )**

Stainless Steel earth rods are used to overcome condition of galvanic corrosion which may be caused due to dissimilar metals being buried near by. Solid copper rods are likely to react adversely with the buried metal, thus allowing corrosion to take place. To overcome this situation, stainless steel rods which are more anodic than copper & highly resistant to corrosion are recommended. These rods are manufactured from austenitic stainless steel to BS970, grade 316

Rod DIA. mm	Total Length	Thread Dia	Code.
14	1200	M10	SCR1412
14	1500	M10	SCR1415
15	1200	M10	SCR1512
15	1500	M10	SCR1515
16	1200	M10	SCR1612
16	1500	M10	SCR1615
20	1200	M12	SCR2012
20	1500	M12	SCR2015

**DRIVING HEAD**

Made up of Re-usable high tensile steel  
Can be used many times over and suitable for power hammering.

**INTERNAL COUPLING DOWEL**

**For Stainless Steel Rods**  
Made up of Stainless Steel

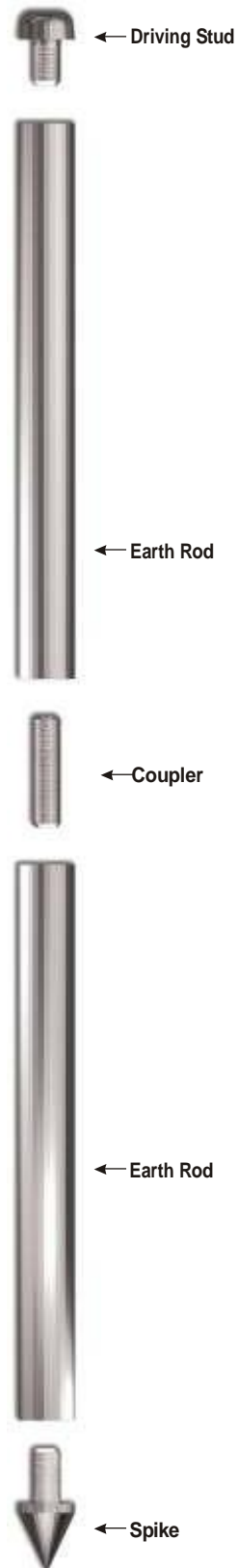
Thread Dia	E - Code
M10	DS0010
M12	DS0012

Thread Dia	E - Code
M10	DS0010
M12	DS0012

**GALVANISED STEEL EARTH ROD - UNTHREADED & POINTED**

These rods are made up of high strength low carbon steel and hot dipped galvanised .  
This design of rod is actually cost effective option for earthing

Rod DIA. mm	Total Length	E - Code
12	1200	GER1212
12	1500	GER1215
12	1800	GER1218
12	2400	GER1224
12	3000	GER1230
14	1200	GER1412
14	1500	GER1415
14	1800	GER1418
14	2400	GER1424
14	3000	GER1430
16	1200	GER1612
16	1500	GER1615
16	1800	GER1618
16	2400	GER1624
16	3000	GER1630
20	1200	GER2012
20	1500	GER2015
20	1800	GER2018
20	2400	GER2024
20	3000	GER2030



STAINLESS STEEL EARTH ROD ( Internal threading )



GALVANISED STEEL EARTH ROD

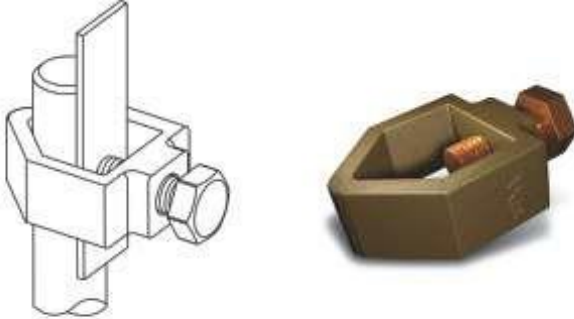
# EARTHING EQUIPMENTS

## FITTINGS

### CLAMPS

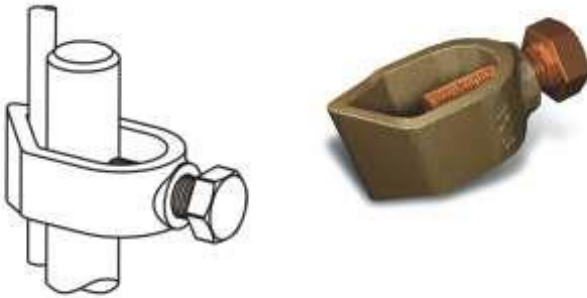
Earth rod clamps are manufactured from Gunmetal / high strength copper alloy. Suitable for use with a combination of rod size and tape or conductors..

#### ROD TO TAPE CLAMP - TYPE 'A'



Rod Dia mm	Tape Width mm	E- Code
9.5	25	RTC0925A
14	25	RTC1425A
16	25	RTC1625A
20	50	RTC2050A

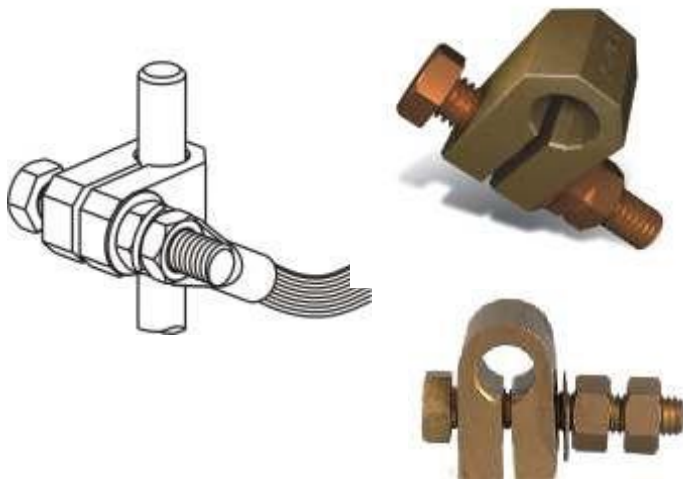
#### ROD TO CABLE CLAMP - TYPE 'C'



Rod Dia mm	Conductor Range mm <sup>2</sup>	E- Code
9.5	6-35	RCC935G
14	16-70	RCC1470G
17	16-95	RCC1695G
20	25-95	RCC2095G

#### SPLIT CONNECTOR CLAMP - TYPE 'B'

Most suitable for unthreaded rods.



Rod Dia mm	E - Code
9.5	SCG0009B
14	SCG0014B
16	SCG0016B
20	SCG0020B

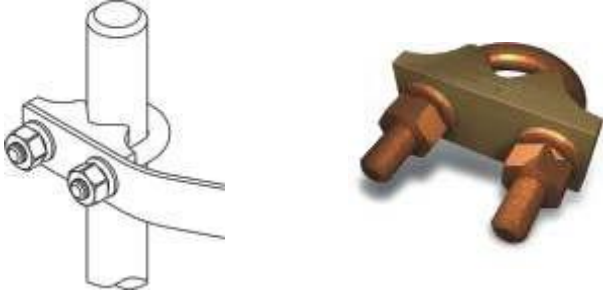
Note : Special design can be manufactured for threaded rods also.

## EARTHING EQUIPMENTS

### FITTINGS

#### U - BOLT ROD CLAMPS - TYPE 'E'

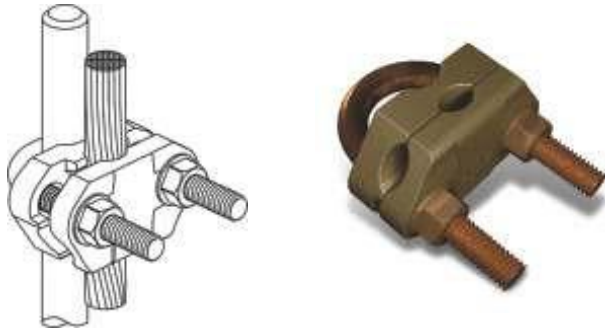
Gunmetal clamp suitable for connecting copper tapes to the rods  
U-Bolts manufactured from copper alloy.



Rod Dia mm	Tape size mm	E - Code.
9.5	25	URC0925E
14	25	URC1425E
16	25	URC1625E
20	50	URC2050E

#### U - BOLT ROD CLAMPS

Heavy Duty Clamp made of gun metal for  
connecting copper round connectors to the earth rods



Rod Dia mm	Conductor Range mm <sup>2</sup>	E - Code
9.5 - 12.5	6-35	GUV935
14	6-35	GUV1435
14-16	16-70	GUV1695
14-20	35-120	GUV20185
20	70-185	GUV20185
20	120-300	GUV20300

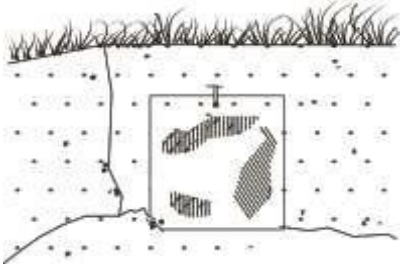


# EARTHING EQUIPMENTS

## FITTINGS

### EARTH PLATE

Earth plates are made up of electrolytic grade solid copper sheet  
( Also on request made up of Steel sheet with electrolytic grade copper bonding.)



#### Solid Copper Earth Plates

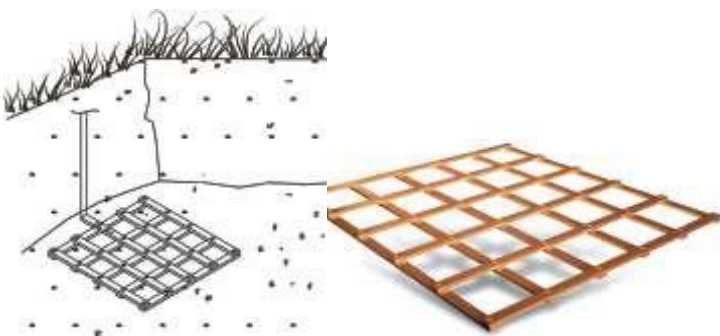
Plate Size mm	E - Code
500x500x3	EPSC0553
500x500x5	EPSC0555
600x600x3	EPSC0663
600x600x5	EPSC0665
900x900x3	EPSC0993
900x900x5	EPSC0995
1000x1000x3	EPSC0113
1000x1000x5	EPSC0115

#### Copper Bonded Earth Plates

Plate Size mm	E - Code
500x500x3	EPSC0553
500x500x5	EPSC0555
600x600x3	EPSC0663
600x600x5	EPSC0665
900x900x3	EPSC0993
900x900x5	EPSC0995
1000x1000x3	EPSC0113
1000x1000x5	EPSC0115

### EARTH LATTICE

Earth Lattice is made from Copper Tape of various combination.  
Copper tapes are of electrolytic grade copper.



Lattice Size mm	Copper Tape Size mm	No. of Strips	E - Code
500x500	25x2	10	EL0552
500x500	25x3	10	EL0553
500x500	25x5	10	EL0555
600x600	25x2	10	EL0662
600x600	25x3	10	EL0663
600x600	25x5	10	EL0665
900x900	25x2	10	EL0992
900x900	25x3	10	EL0993
900x900	25x5	10	EL0995
1000x1000	25x2	12	EL0112
1000x1000	25x3	12	EL0113
1000x1000	25x5	12	EL0115



## BONDS & CLAMPS

### WATERMAIN PIPE BOND

Manufactured in Gunmetal. Water main pipe bond has application in bonding of metallic water main pipes & copper Tape to the Earthing or Lightning protection system.

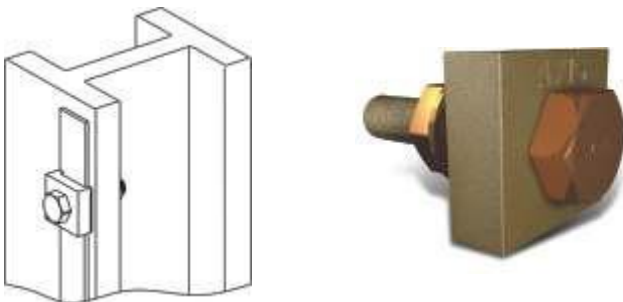


Max. Tape Width mm	Conductor Material	Prod. Code
26	Copper	HWB - 26

### STRUCTURE BONDS

#### I) B BOND

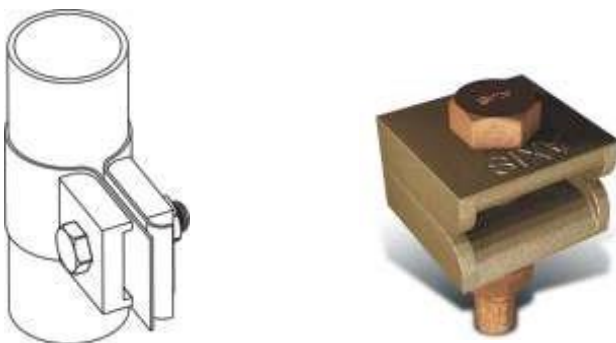
Manufactured from Gunmetal. Used for bonding Tape to Steel structures.



Tape size mm.	Bolt size	E - Code
25	M10	SBB0025
38	M10	SBB0038

#### II) RAIN WATER PIPE BOND

Manufactured from Gunmetal. Used for bonding tape to Rainwater pipes etc.



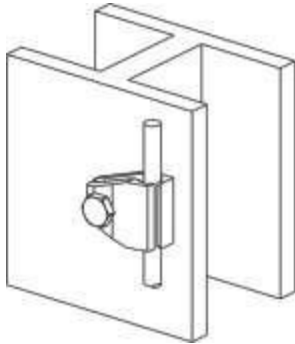
Tape size mm.	Bolt size	E - Code
25	M10	RWP0025
38	M10	RWP0038



## BONDS & CLAMPS

### III) TOWER EARTH BOND.

Manufactured from Gunmetal. Used for bonding Copper Cables or wires to steel structures.

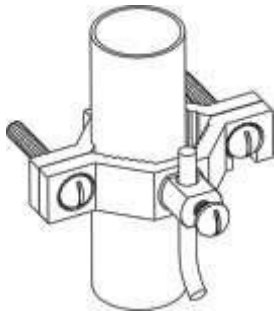


Conductor Size mm <sup>2</sup> .	Channel Thickness mm	Bolt size	E - Code
16 - 35	10	M10	TEB0035
50 - 70	10	M12	TEB0070
95 - 120	10	M12	TEB0120

### PIPE CLAMPS

Manufactured from Gunmetal

Provide positive earth continuity for water pipes

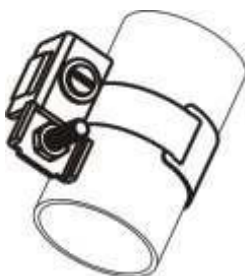


Pipe size Inches	Conductor Range mm <sup>2</sup>	E - Code
1/2-1"		PC001
1-1/4-2"	UP TO 16	PC002
2-1/2-4"		PC004

### EARTHING CLAMP-TYPE EC

Manufactured from SS/ Phosphor bronze straps with copper alloy connector.

Typically used to make earth connection on Pipes



Pipe size Inches	Terminal mm <sup>2</sup>	E - Code
12-32	2.5-10	PEC001401
32-50	2.5-10	PEC001402
50-75	2.5-10	PEC001403



## BONDS & CLAMPS

### PREPUNCHED EARTHING STRAPS

Manufactured from copper strips.

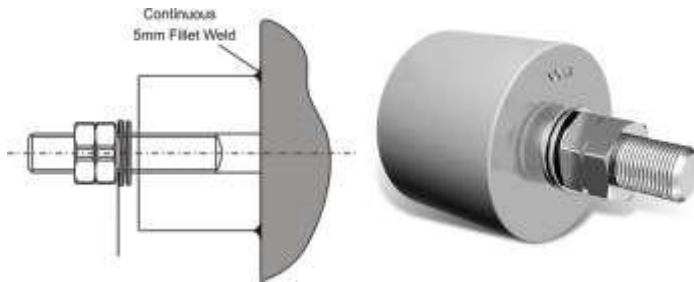
Available in continuous coils & pre punched for faster earthing connection



Size mm	Hole mm	E - Code
12 x 1.5	6	AEL90021
20 x 2	8	AEL90025

### EARTH BOSS

Manufactured from High Tensile mild steel, zinc plated to avoid corrosion & supplied with stud & Bolt made of steel with Spring & plain washer.

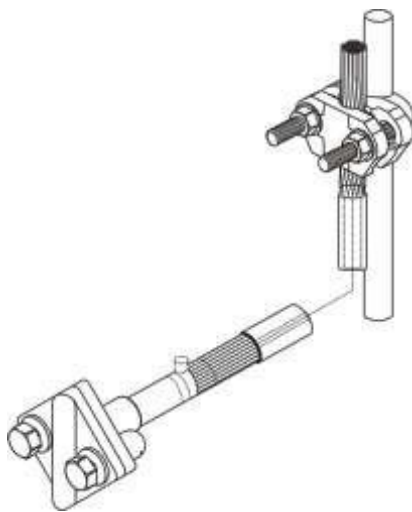


Length mm	Dia. mm	Thread Dia.	E - Code
30	38	3/8"	EB3038
50	50	1/2"	EB5012

### EARTH POINTS

Manufactured from Gunmetal.

Provides an excellent earth point when connected to continuous reinforcing bars



Size	Hole	E - Code
80	1 x M10	EP001
80	2 X M10	EP002
80	4 X M10	EP004

# LIGHTNING PROTECTION SYSTEM



## FLAT TAPE SYSTEM

### TAPER POINTED AIR ROD

These Rods are made up of high conductivity EC Grade Copper & Aluminium.  
Rods can be installed with or without Multiple Points.



Rod Length mm	Rod Dia. mm	Thread Dia.	Material	E - Code
300	14.2	5/8"	Copper	CTP0316
500	14.2	5/8"	Copper	CTP0516
1000	14.2	5/8"	Copper	CTP1016
2000	14.2	5/8"	Copper	CTP2016
500	17.2	3/4"	Copper	CTP0520
1000	17.2	3/4"	Copper	CTP1020
2000	17.2	3/4"	Copper	CTP2020
300	14.2	5/8"	Aluminium	ATP0316
500	14.2	5/8"	Aluminium	ATP0516
1000	14.2	5/8"	Aluminium	ATP1016
1500	14.2	5/8"	Aluminium	ATP1516
2000	14.2	5/8"	Aluminium	ATP2016
500	17.2	3/4"	Aluminium	ATP520
1000	17.2	3/4"	Aluminium	ATP1020
2000	17.2	3/4"	Aluminium	ATP2020

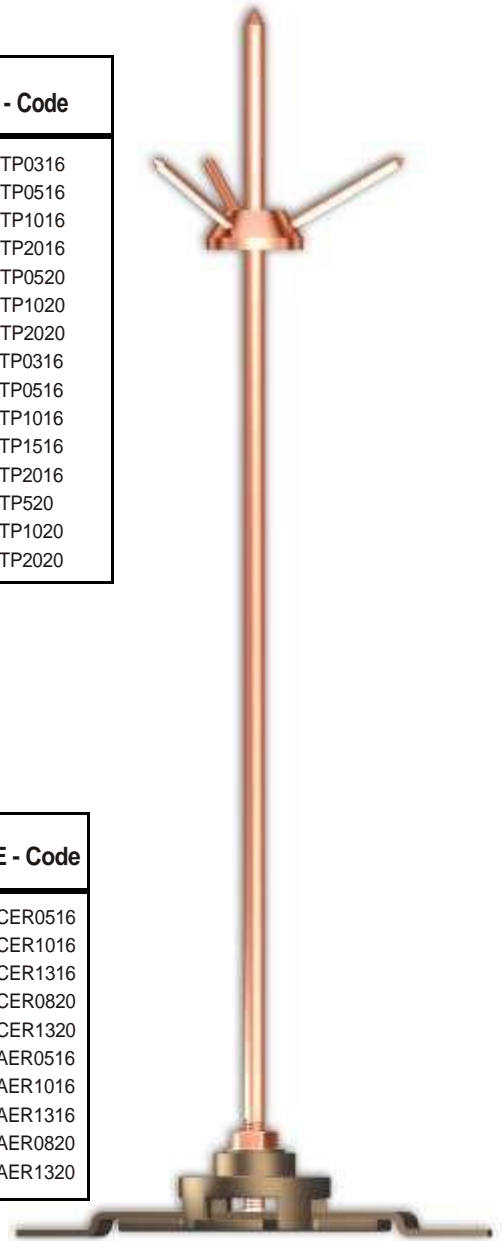


### ELEVATION ROD

Manufactured from High conductivity Copper to BS 2874 & Aluminium to BS 2987



Rod Length mm	Rod Dia. mm	Thread Dia.	Material	E - Code
500	14.2	5/8"	Copper	CER0516
1000	14.2	5/8"	Copper	CER1016
1300	14.2	5/8"	Copper	CER1316
800	17.2	3/4"	Copper	CER0820
1300	17.2	3/4"	Copper	CER1320
500	14.2	5/8"	Aluminium	AER0516
1000	14.2	5/8"	Aluminium	AER1016
1300	14.2	5/8"	Aluminium	AER1316
800	17.2	3/4"	Aluminium	AER0820
1300	17.2	3/4"	Aluminium	AER1320



### MULTIPLE POINTS

Multiple points are made from Copper Alloy & the Taper Spike from EC grade copper



Type - A

Rod Dia. mm	Prod. Code
16 - 5/8"	HMP - 16
20 - 3/4"	HMP - 20



Type - B

## AIR TERMINAL BASE

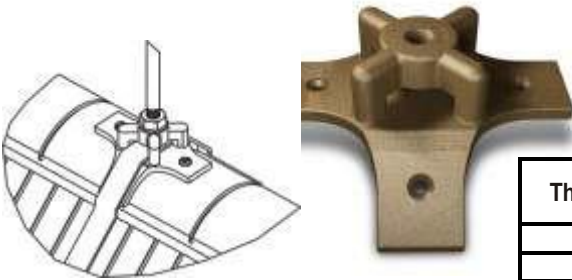
Manufactured from Gunmetal & Aluminium.



Rod Dia. mm	Thread Dia.	Max. Tape Size mm	Rod Material	E - Code
14.2	5/8"	25 x 6 mm	Copper	ATB0016C
17.2	3/4"	25 x 6 mm	Copper	ATB0020C
14.2	5/8"	25 x 6 mm	Aluminium	ATB0016A
17.2	3/4"	25 x 6 mm	Aluminium	ATB0020A

## RIDGE SADDLE

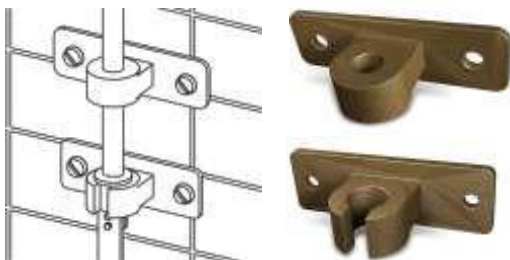
Manufactured from Gunmetal. This is used for Supporting Lightning Conductor Air Terminals on the Roof Ridges.



Thread Dia.	Max. Tape Size mm	Rod Material	E - Code
5/8"	30 x 6 mm	Copper	RGS0016C
3/4"	30 x 6 mm	Copper	RGS0020C
5/8"	30 x 6 mm	Aluminium	RGS0016A
3/4"	30 x 6 mm	Aluminium	RGS0020A

## ROD BRACKETS

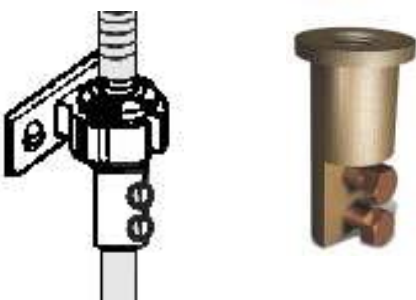
Manufactured from Gunmetal & Aluminium & is used to support & continue Elevation Rod



Rod Dia. mm	Rod Material	E - Code
14.2	Copper	RB0016C
17.2	Copper	RB0020C
14.2	Aluminium	RB0016A
17.2	Aluminium	RB0020A

## ROD TO TAPE COUPLING

Manufactured from Gunmetal and Aluminium. Used to connect Elevation Rod to Eathing Tape.



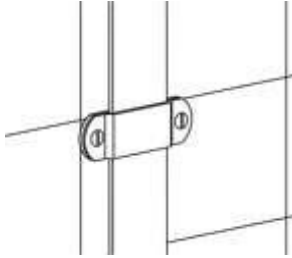
Rod Dia. mm	Thread Dia.	Rod Material	E - Code
14.2	5/8"	Copper	RTC0016C
17.2	3/4"	Copper	RTC0020C
14.2	5/8"	Aluminium	RTC0016A
17.2	3/4"	Aluminium	RTC0020A



## TAPE FIXINGS

### TAPE CLIP

Manufactured from Copper & Aluminium.  
They are used to Support & Secure Flat tape to the structure.

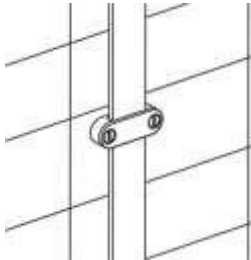


Tape size, mm	Material	E - Code
25 x 3	Copper	TCC0025
38 x 3	Copper	TCC0038
50 x 3	Copper	TCC0050
25 x 3	Aluminium	TCA0025
38 x 3	Aluminium	TCA0038
50 x 3	Aluminium	TCA0050

Note- Add suffix 'B' to E- Code for Tape Clip with base

### D.C TAPE CLIP

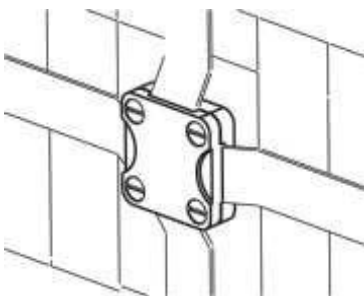
Manufactured from Gunmetal & is used for Supporting & Securing of Flat tapes to the structure.



Tape size, mm	E - Code
25 x 3	DCG253
25 x 6	DCG256
38 x 3	DCG383
38 x 6	DCG386
50 x 3	DCG503
50 x 6	DCG506

### SQUARE TAPE CLAMP

Manufactured from Gunmetal.  
Suitable for 4 way connections, straight through or Tee joints for Tapes.



Tape size, mm	Tape Matl.	E - Code
25 x 3	Copper	STC0253
25 x 6	Copper	STC0256
38 x 3	Copper	STC0383
38 x 6	Copper	STC0386
50 x 3	Copper	STC0503
50 x 6	Copper	STC0506
25 x 3	Aluminium	STC0253A
38 x 3	Aluminium	STC0383A
50 x 6	Aluminium	STC0506A

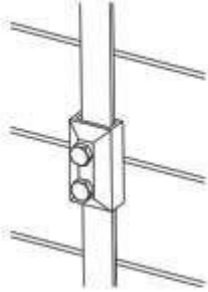




## TAPE FIXINGS

### OBLONG TEST CLAMP

Manufactured from Gunmetal. Suitable for straight through Tape joints.



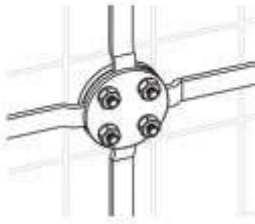
Tape size, mm	E - Code
25 x 3	OTC0253
38 x 6	OTC0386
50 x 6	OTC0506

### PLATE TEST CLAMP

Manufactured from Gunmetal.

A Disconnecting joint between the down conductor system & Earthing system can be formed using this Clamp.

The clamp can be used as a 4-Way clamp.



Tape size, mm	E - Code.
25 x 3	PTC253

### BI-METALLIC CONNECTOR

This connectors are used in Bi-Metallic Earthing Systems.

It is recommended to use Inhibiting compound with this assembly.



Tape size, mm	E - Code.
25 x 3 - Cu 25 x 3 - Alu	BMC0253

### BACK PLATE HOLDFAST STEM

Manufactured from Gunmetal. Required for installation of Tape when the Tape is to be secured away from the face of wall.

This should be used with appropriate D.C clip.



Tape matl.	E - Code
Copper	BPHS01



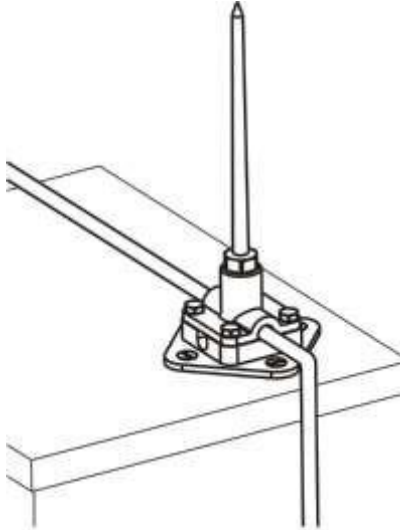
# LIGHTNING PROTECTION SYSTEM

## CIRCULAR CONDUCTOR SYSTEM

### AIR TERMINAL BASE

Manufactured from Gunmetal.

Suitable to install Air terminal and make positive continuity to earthing conductor

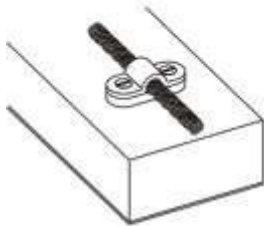


Conductor size, mm2	Thread Dia.	E - Code
50	5/8"	ATB1650C
70	5/8"	ATB1670C
95	5/8"	ATB1695C
50	3/4"	ATB2050C
70	3/4"	ATB2070C
95	3/4"	ATB2095C

### HEAVY DUTY CONDUCTOR SADDLE

Manufactured from Gunmetal.

Used in conjunction with Wall Mounted Air Terminal Base.

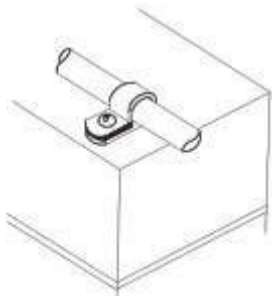


Conductor size, mm2	E - Code
25 - 35	HDS0035
50 - 70	HDS0070
95	HDS0095

### ONE HOLE CLIP

Manufactured from High Quality Copper sheet.

Used in Fixing Cable Conductors.



Conductor size, mm2	E - Code
25 - 35	OHC0035
50 - 70	OHC0070
95	OHC0095

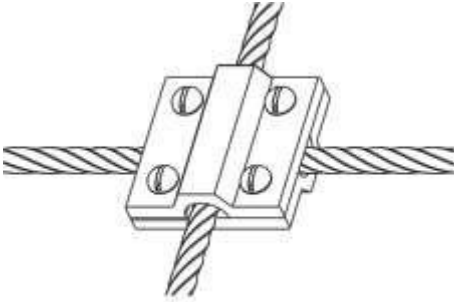
# LIGHTNING PROTECTION SYSTEM



## CIRCULAR CONDUCTOR SYSTEM

### SQUARE CLAMP

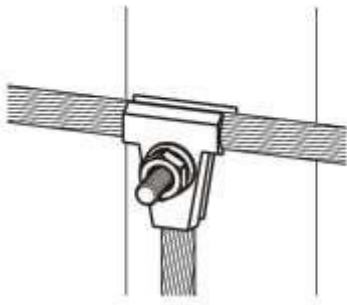
Manufactured from Gunmetal.  
Suitable for 4 way connections, straight through or Tee joints for Rods.



Conductor size, mm2	E - Code
35	GSQ0035
50	GSQ0050
70 - 95	GSQ0095

### TEE CLAMP

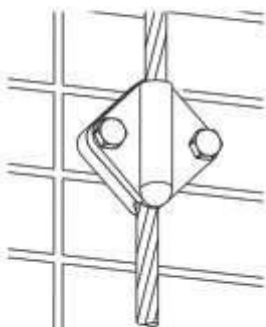
Manufactured from Gunmetal. Used for forming tee joints .



Conductor size, mm2	E - Code
35	GTC0035
50-95	GTC0095

### TEST CLAMP

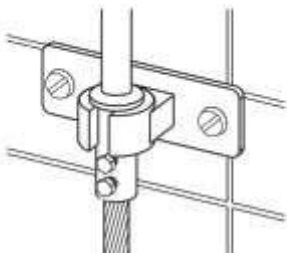
Manufactured from Gunmetal.  
Used in overlapping Joints.



Conductor size, mm2	E - Code
35	TEC0035
50	TEC0050
70 - 95	TEC0095

### ROD TO CABLE COUPLING

Suitable to connect Air Rod to Down Conductor.To be used along with Brackets

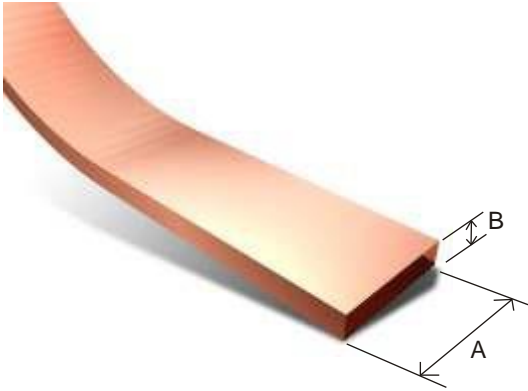


Thread Dia.	Conductor mm2	E - Code
5/8"	35-95	RC5835
3/4"	35-95	RC3495



## BARE COPPER TAPE

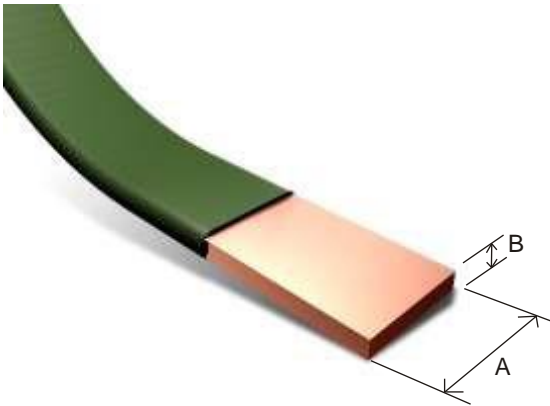
Copper Tapes are manufactured from High Conductivity EC grade Copper.



Tape size( A x B ) mm	E - Code
12.5 x 1.5	ECT0121
12.5 x 3	ECT0123
20 x 1.5	ECT0201
20 x 3	ECT0203
25 x 1.5	ECT0251
25 x 3	ECT0253
25 x 4	ECT0254
25 x 6	ECT0256
30 x 3	ECT0303
30 x 6	ECT0306
38 x 3	ECT0383
38 x 5	ECT0385
38 x 6	ECT0386
40 x 4	ECT0404
40 x 6	ECT0406
50 x 3	ECT0503
50 x 4	ECT0504
50 x 6	ECT0506

## PVC COVERED COPPER TAPE

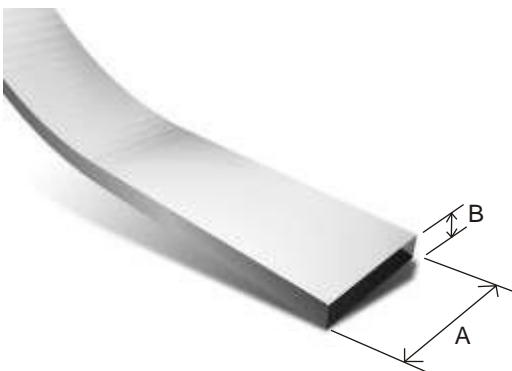
High Conductivity Copper Tapes ,PVC covered.



Tape size( A x B ) mm	E - Code
12.5 x 1.5	PCT0121
25 x 3	PCT0253
25 x 6	PCT0256
38 x 6	PCT0386
50 x 6	PCT0506

Also other sizes available

## TINNED COPPER TAPE



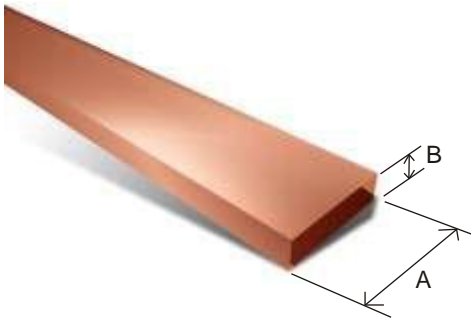
Tape size( A x B ) mm	E - Code
12.5 x 1.5	TCT0121
25 x 3	TCT0253
25 x 6	TCT0256

Also PVC Covered



## HARD DRAWN COPPER BAR

Hard Drawn High Conductivity Copper Bars manufactured.



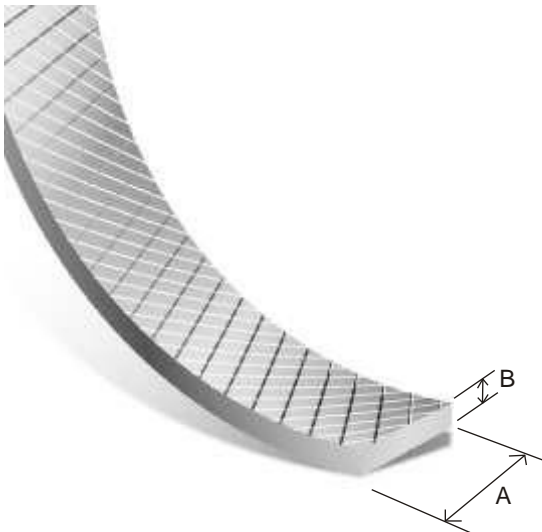
Bare Hard Drawn Bars

Tape size (A x B) mm	E - Code
25 x 3	HCB253
25 x 6	HCB256
38 x 6	HCB386
50 x 6	HCB506
50 x 10	HCB5010
75 x 6	HCB756

For Tinned Hard Drawn Bars add Suffix " T " to the E-Code  
Also available in various sizes & lengths.

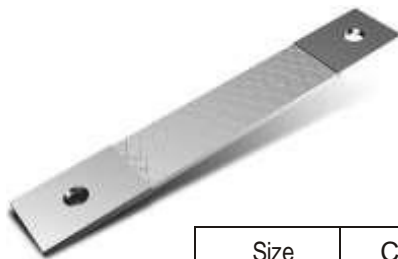
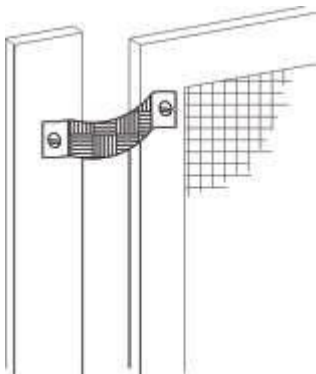
## FLEXIBLE COPPER BRAID

Manufactured from High Conductivity Copper Wire to BS4109 - C101. Suitable for Earth Bonding. Also supplied as Standard pre-cut & Drilled Bonds. This is used for Bonding of Gates, Metal Doors, Fences & Application where Flexibility is Required.



Overall size (A x B) mm	Size (mm <sup>2</sup> )	Current Rating Amp	E - Code
12 x 1.5	8.4	40	FB0121
12 x 3	16.8	105	FB0123
19 x 1.5	12.1	63	FB0191
19 x 3.0	22.4	140	FB0193
25 x 1.5	19.6	85	FB0251
25 x 3	36.5	200	FB0253
25 x 6	73	400	FB0256
32 x 1.5	36.5	120	FB0321
32 x 3	42.1	240	FB0323
32 x 6	81.4	400	FB0326
38 x 3	53.3	800	FB0383
38 x 6	80	500	FB0386
50 x 3	70.2	400	FB0503
50 x 6	109.5	800	FB0506
50 x 12	280	1500	FB5012
75 x 6	140.4	1000	FB0756

## FLEXIBLE CONNECTORS

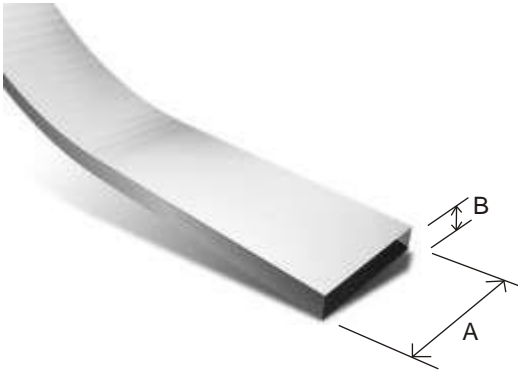


Size mm	Cross Section area	Hole Size mm	Hole Centre mm	Prod. Code
25 x 3.5	35 mm <sup>2</sup>	11	200	HFB - 252
25 x 3.5	35 mm <sup>2</sup>	11	400	HFB - 254

Other sizes & types of braid can be made to order.



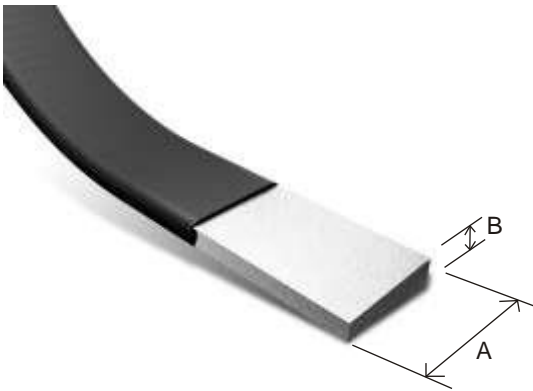
## BARE ALUMINIUM TAPE



Tape size( A x B ) mm	E - Code
12.5 x 1.5	BAT0121
25 x 3	BAT0253
25 x 6	BAT0256
38 x 6	BAT0386
50 x 6	BAT0506

## PVC COVERED ALUMINIUM TAPE

High Conductivity Aluminium Tapes PVC covered.



Tape size( A x B ) mm	E - Code
12.5 x 1.5	PAT0121
25 x 3	PAT0253
25 x 6	PAT0256
38 x 6	PAT0386
50 x 6	PAT0506

## BARE STRANDED COPPER CONDUCTORS

Made from Soft Drawn Stranded Copper.

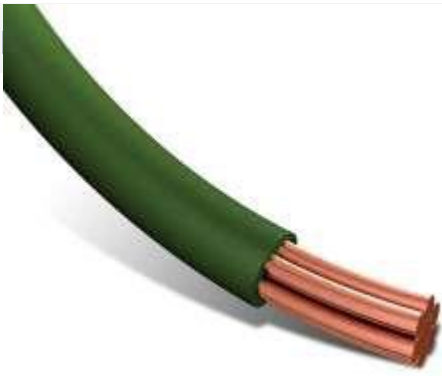


Conductor size mm <sup>2</sup>	No. of Stranding/ Wire Dia. mm	E - Code
6	7/1.04	SSBC0006
10	7/1.4	SSBC0010
16	7/1.7	SSBC0016
25	7/2.14	SSBC0025
35	7/2.52	SSBC0035
50	19/1.78	SSBC0050
70	19/2.14	SSBC0070
95	19/2.52	SSBC0095
120	37/2.03	SSBC0120
150	37/2.25	SSBC0150
185	37/2.52	SSBC0185
240	61/2.25	SSBC0240
300	61/2.50	SSBC0300

## PVC COVERED STRANDED COPPER CONDUCTOR.

PVC covered Soft Drawn Copper conductor.

Conductor size mm <sup>2</sup>	No. of Stranding / Wire Dia. mm	E - Code
16	7/1.7	PSC0016
25	7/2.14	PSC0025
35	7/2.52	PSC0035
50	19/1.78	PSC0050
70	19/2.14	PSC0070
95	19/2.52	PSC0095
120	37/2.03	PSC0120
150	37/2.25	PSC0150
185	37/2.52	PSC0185
240	61/2.25	PSC0240
300	61/2.52	PSC0300
400	61/2.85	PSC0400



## EARTH BAR AND DISCONNECTING LINK



Made out of 50 x 6 mm pure copper bar pre-fitted on epoxy powder coated metal base mounted on insulators  
Recommended fixing - round head woodscrew 1-1/2" x no. 16 and wall plug. Range : 6 ways to 24 ways

### EARTH BARS



Description	E - Code
6 Way	EB006
8 Way	EB008
10 Way	EB010
12 Way	EB012
14 Way	EB014
16 Way	EB016
18 Way	EB018
20 Way	EB020
22 Way	EB022
24 Way	EB024

### EARTH BARS WITH SINGLE DISCONNECTING LINK



Description	E - Code
6 Way	EBS006
8 Way	EBS008
10 Way	EBS010
12 Way	EBS012
14 Way	EBS014
16 Way	EBS016
18 Way	EBS018
20 Way	EBS020
22 Way	EBS022
24 Way	EBS024

### EARTH BARS WITH TWIN DISCONNECTING LINK



Description	E - Code
6 Way	EBD006
8 Way	EBD008
10 Way	EBD010
12 Way	EBD012
14 Way	EBD014
16 Way	EBD016
18 Way	EBD018
20 Way	EBD020
22 Way	EBD022
24 Way	EBD024

### DISCONNECTING LINK



Description	E - Code
Disconnecting Link	DL001



**Socket Boxes**

Home Tool Kit Box:



Home Tool Kit (Pic1)



Home Tool Kit (Pic2)

Box No 1:



Box No 1 (Pic1)



**Socket Boxes**

Box No 2:



Box No 2 (Pic1)



Box No 2 (Pic2)



Box No 2 (Pic3)

**Socket Boxes**

Box No 3:



Box No 3 (Pic1)



Box No 3 (Pic2)

**Plastic Tray**



C-Clamp Screw



Screw



Collet(Pic1)



Collet(Pic2)